

LIT!

Adam Finnerty
18223702

PROJECT OUTLINE

Designer Inspiration

5 Words

Ideation

Design Development

Design Refinement with Prototyping

Manufacturing Process

Working Lamp

Appendix

Jonathan Ive

Apple's Chief Design Officer

Holds **over 5000 patents**

Has been recognized for
numerous design awards

including the Design Museum London's first Designer of the Year in 2003, the Design and Art Direction (D&AD) President's Award in 2005 and the Cooper-Hewitt National Design Museum's Product Design Award in 2007.





Jonathan Ive has long
acknowledged Dieter Rams
as his inspiration.

Dieter Rams

- Innovative
- Relevant
- Clean
- Simplistic
- Modern
- Evolving
- Luxurious
- Symmetrical
- Subtle
- Intuitive



PROJECT OUTLINE

Designer Inspiration

5 Words

Ideation

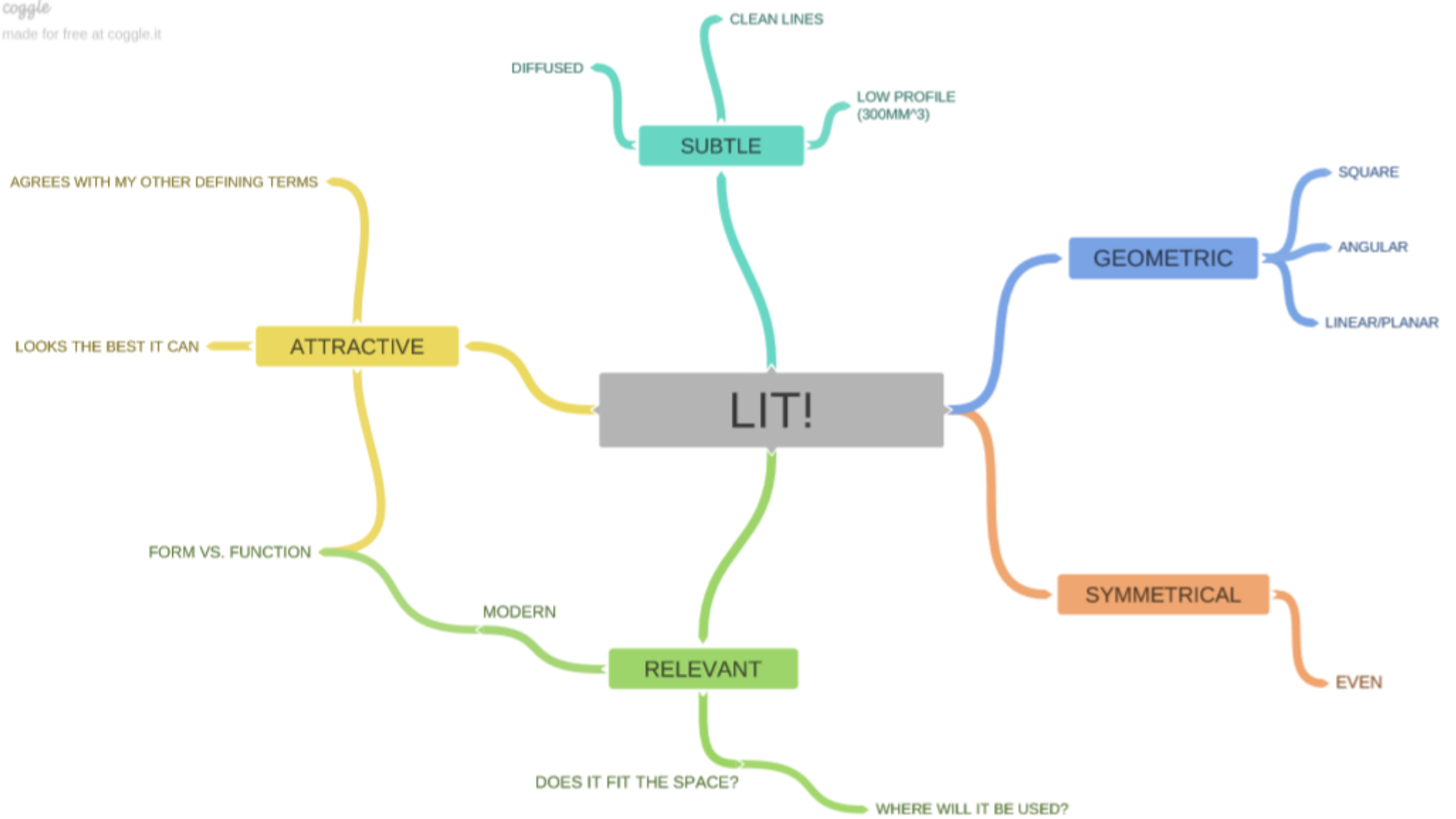
Design Development

Design Refinement with Prototyping

Manufacturing Process

Working Lamp

Appendix



PROJECT OUTLINE

Designer Inspiration

5 Words

Ideation

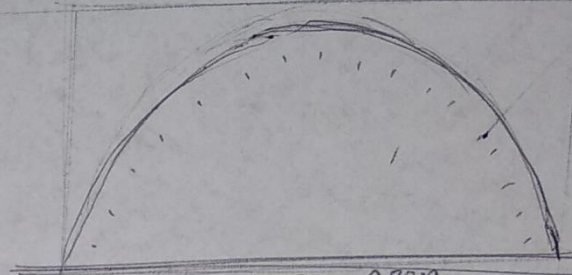
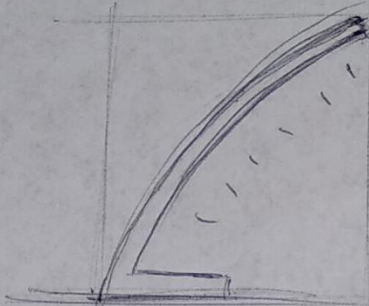
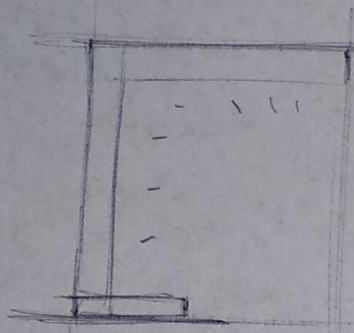
Design Development

Design Refinement with Prototyping

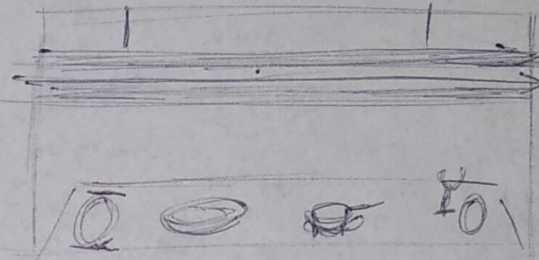
Manufacturing Process

Working Lamp

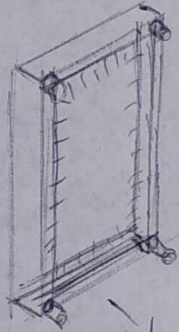
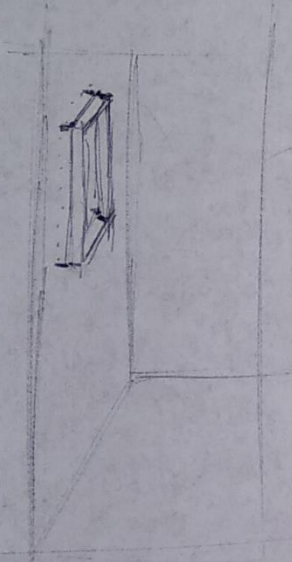
Appendix



SPANS WORK AREA.



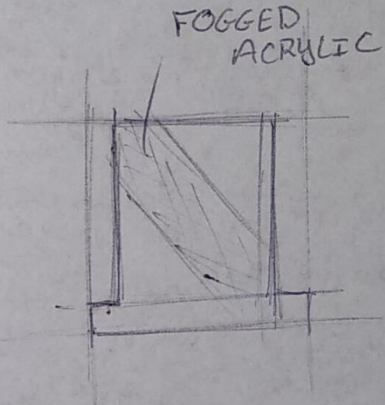
WOOD
ACRYLIC
(FOGGED)



UP AGAINST
WALL.

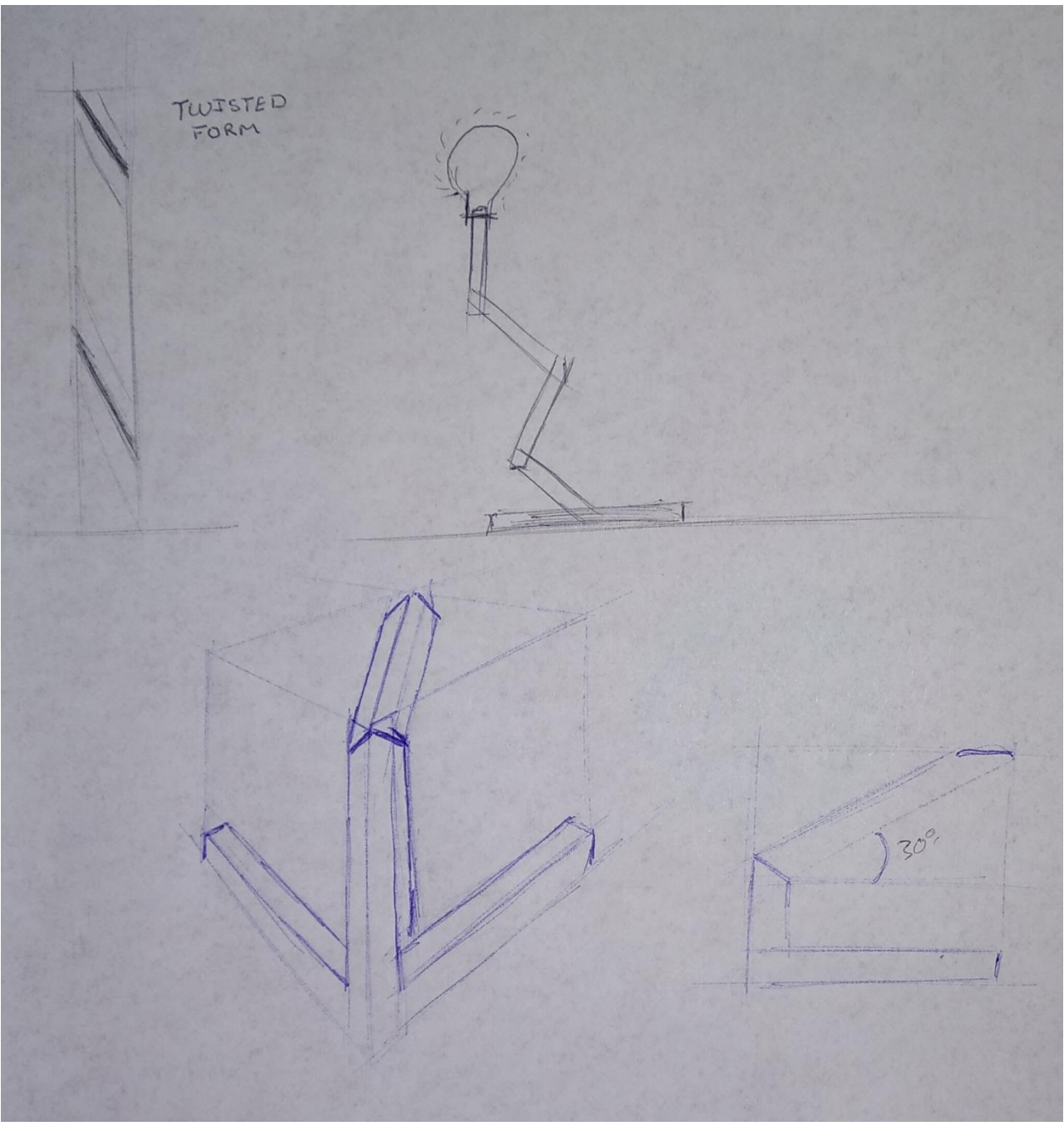


CUBE/SQUARE
SPIRAL/
TWIST.



FOGGED
ACRYLIC

TWISTED
FORM



PROJECT OUTLINE

Designer Inspiration

5 Words

Ideation

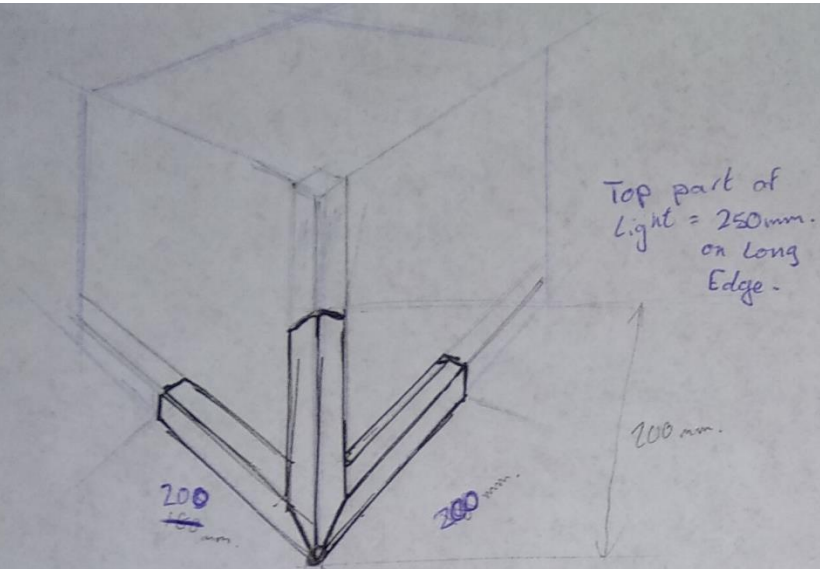
Design Development

Design Refinement with Prototyping

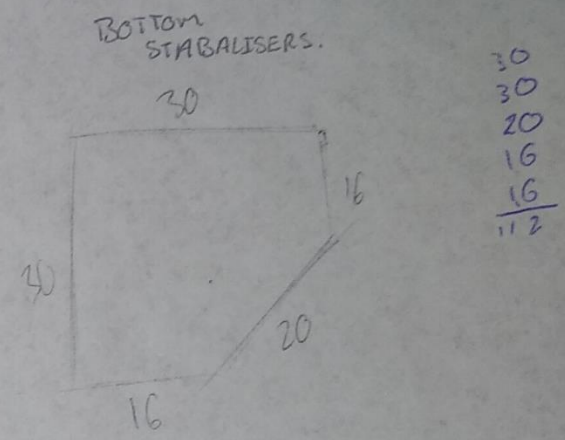
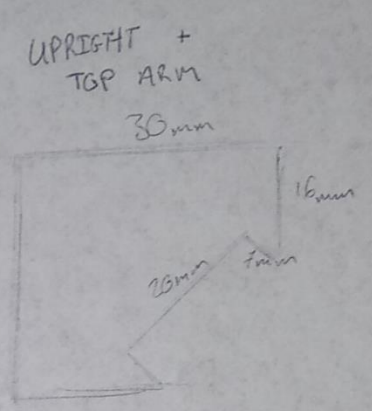
Manufacturing Process

Working Lamp

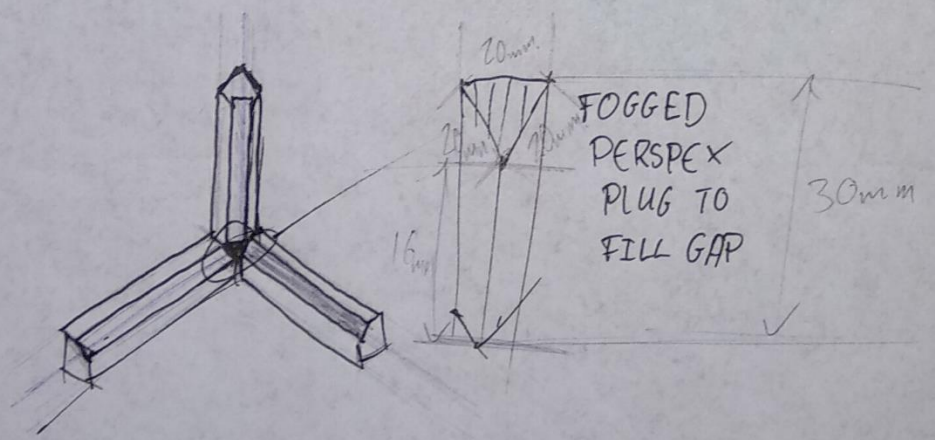
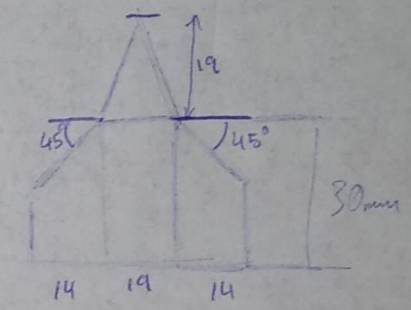
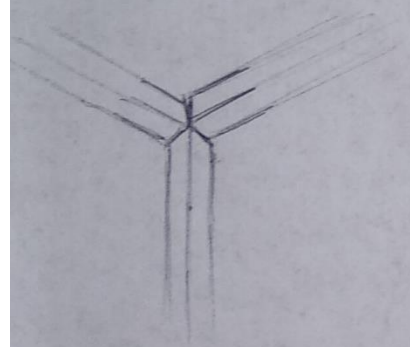
Appendix

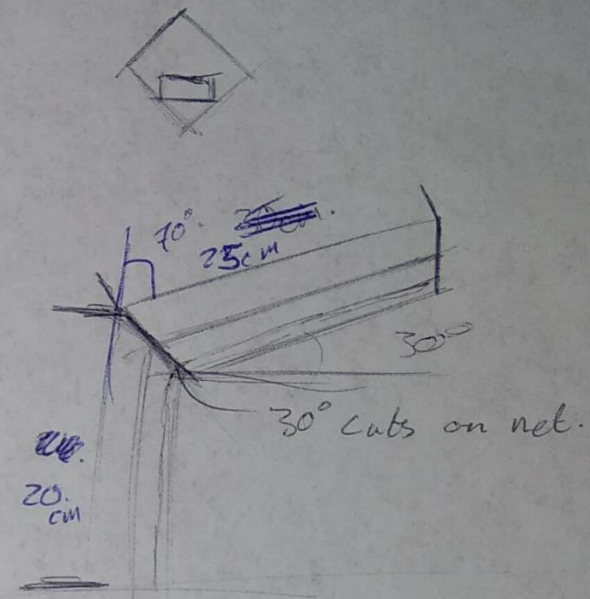
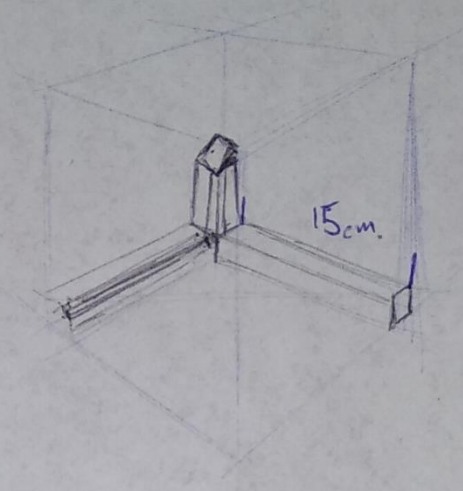
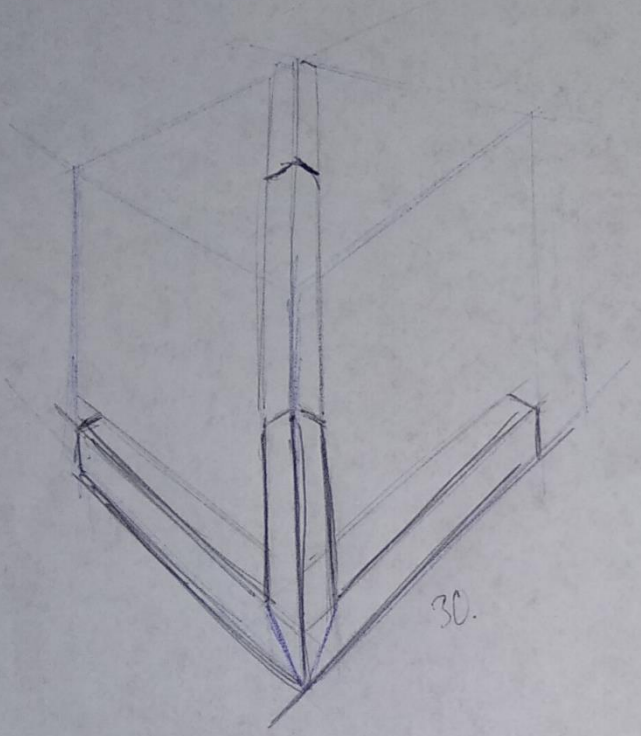


RUN THE CABLE OUT THE BACK.



30
30
20
16
16
112

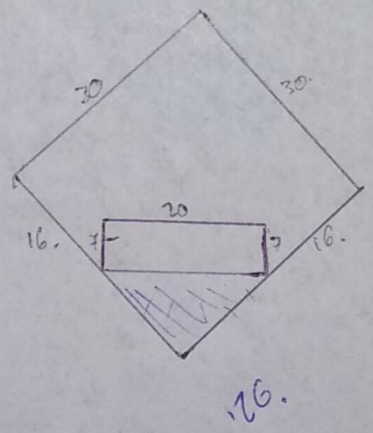
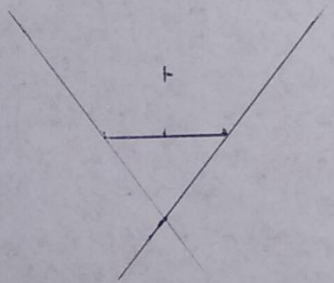




$30^\circ + 20^\circ$

Bending
+
welding - Sheet Metal?
Extrusion.

90 mm
from
inside corner
is
tipping
point.



PROJECT OUTLINE

Designer Inspiration

5 Words

Ideation

Design Development

Design Refinement with Prototyping

Manufacturing Process

Working Lamp

Appendix



First model made a little
out of proportion



Legs shortened after a tip experiment. The top is still out of proportion, I made shorter mock-ups to get scale and proportion correct before manufacturing, however I forgot to take pictures

PROJECT OUTLINE

Designer Inspiration

5 Words

Ideation

Design Development

Design Refinement with Prototyping

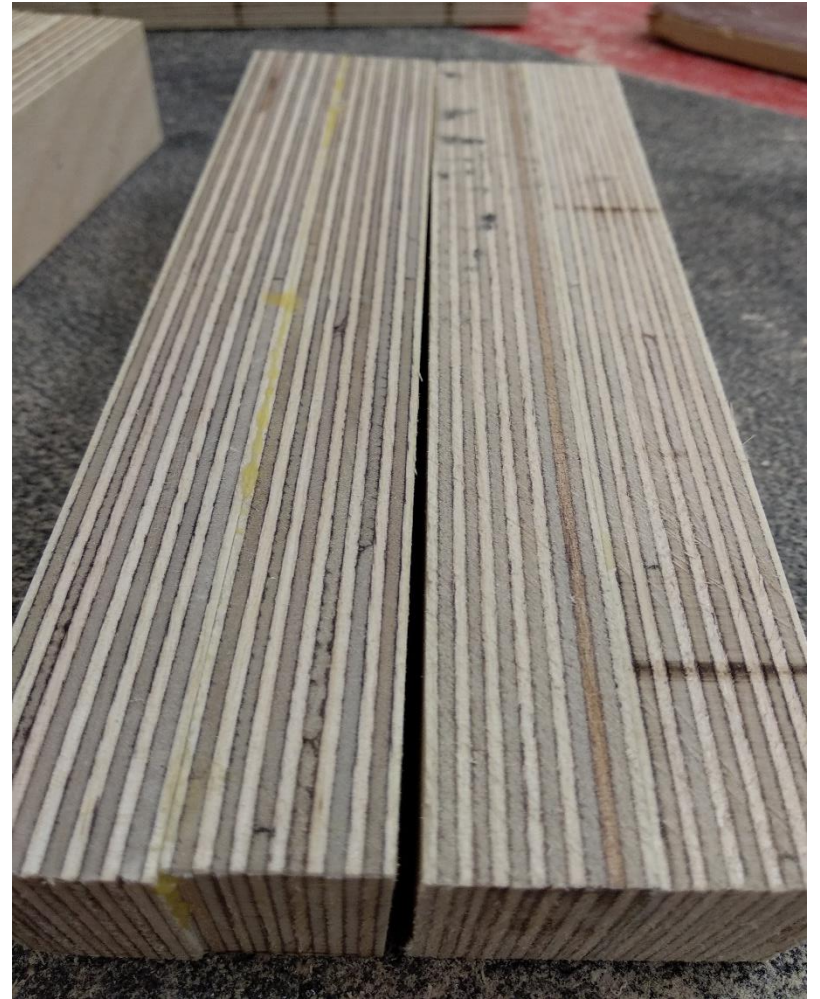
Manufacturing Process

Working Lamp

Appendix



Boards laminated



Stock squared



A 45° jig was cut to allow me to make the cuts I needed to. They were also used to stabilize the pieces when cutting the mitres which I did not photograph



Once all my cuts were made, I had to chisel out the slot for the LED Rope light and the Perspex cover that I was going to fabricate as well. I also forgot to photograph the making of the Perspex

PROJECT OUTLINE

Designer Inspiration

5 Words

Ideation

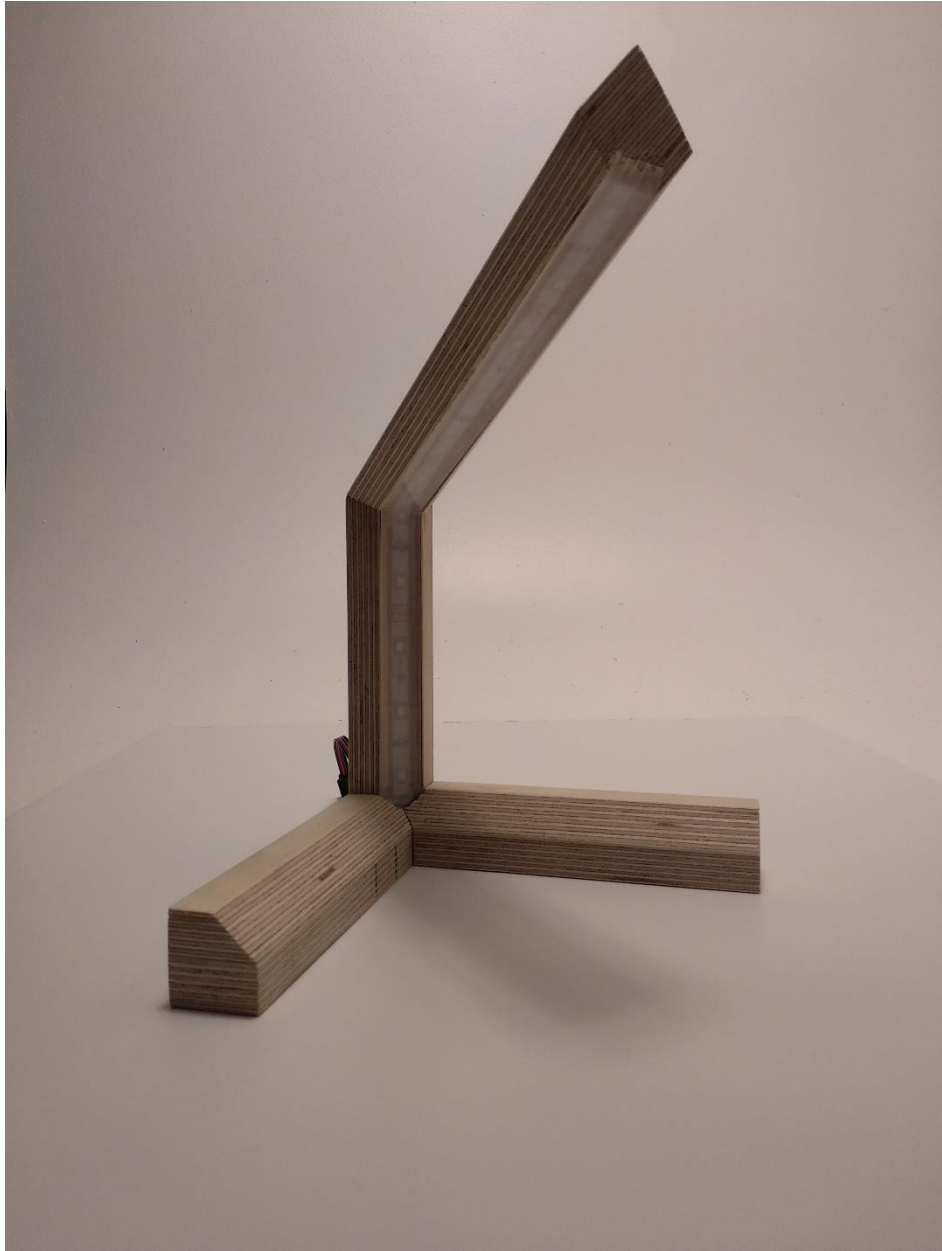
Design Development

Design Refinement with Prototyping

Manufacturing Process

Working Lamp

Appendix





PROJECT OUTLINE

Designer Inspiration

5 Words

Ideation

Design Development

Design Refinement with Prototyping

Manufacturing Process

Working Lamp

Appendix

